
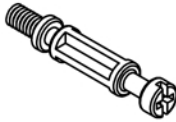
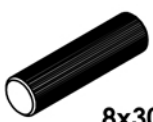


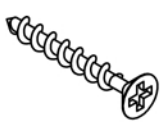

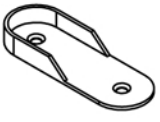
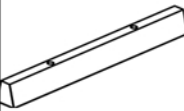

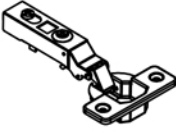

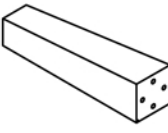





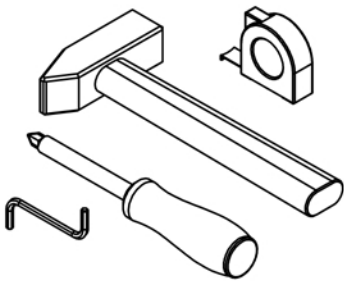
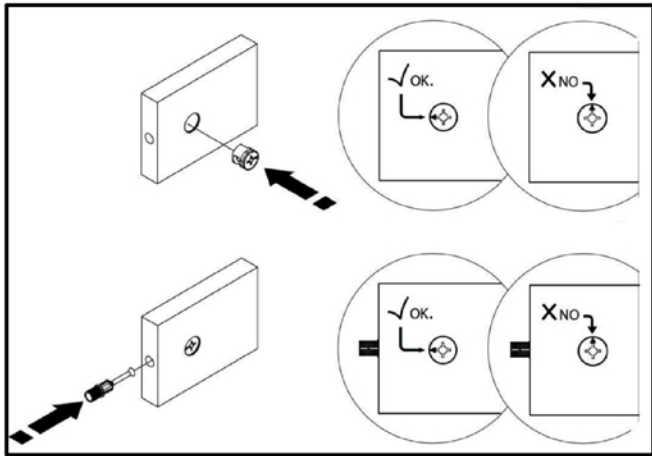


WARDROBE 2 DOORS LENA BLACK

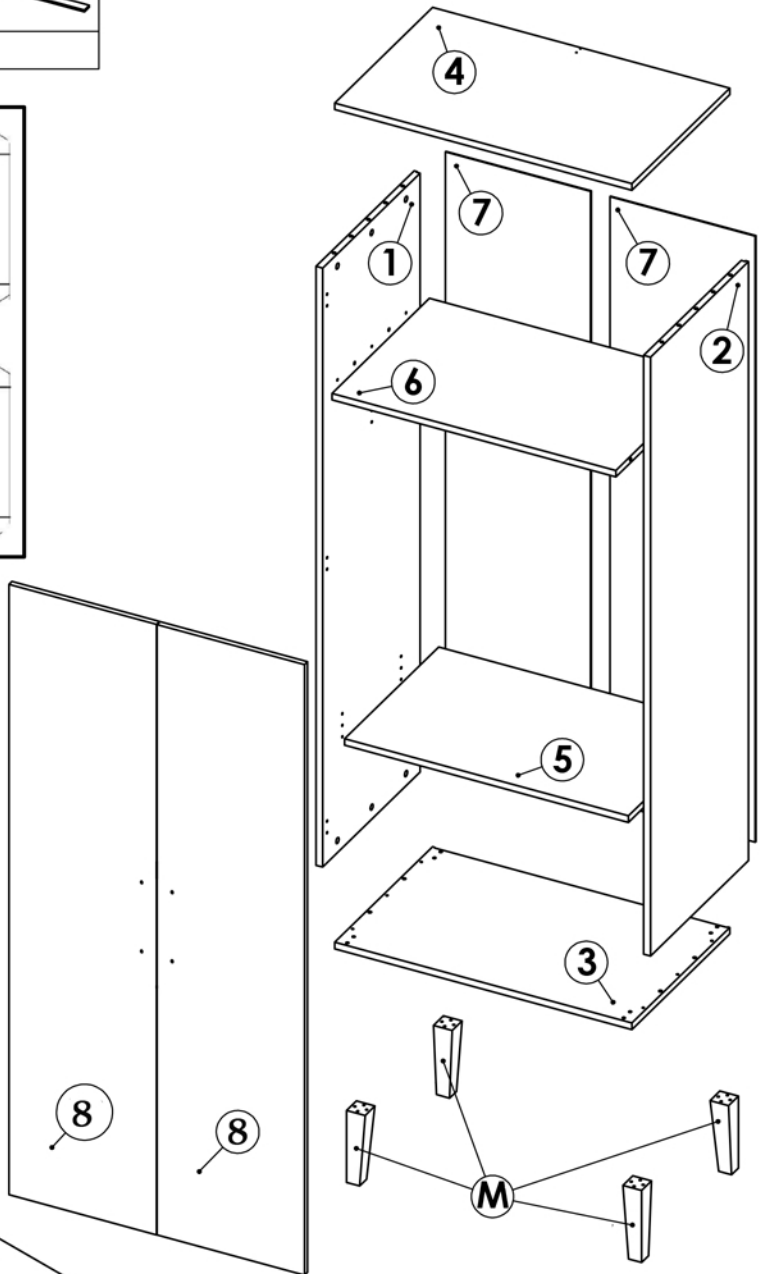
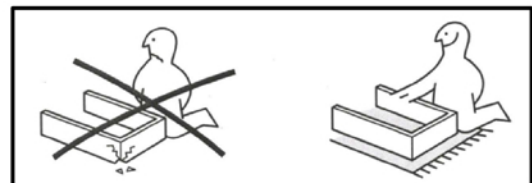
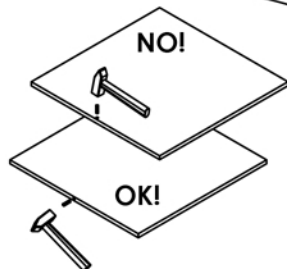
Art.code : 116 07 019

05/03/2021




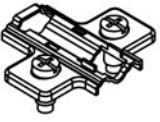
							
A x 18	B x 18	C x 12	D x 8	E x 18	F x 1	G x 20	H x 2
							
I x 2	J x 6	K x 6	L x 4	M x 4	N x 1	O x 1	R-4
							
P x 1		Q x 1					

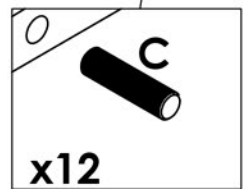
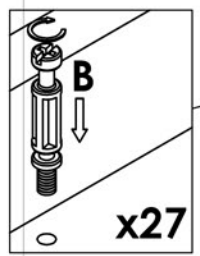
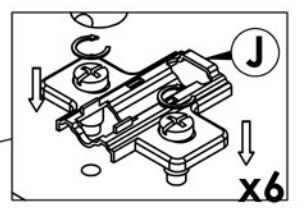
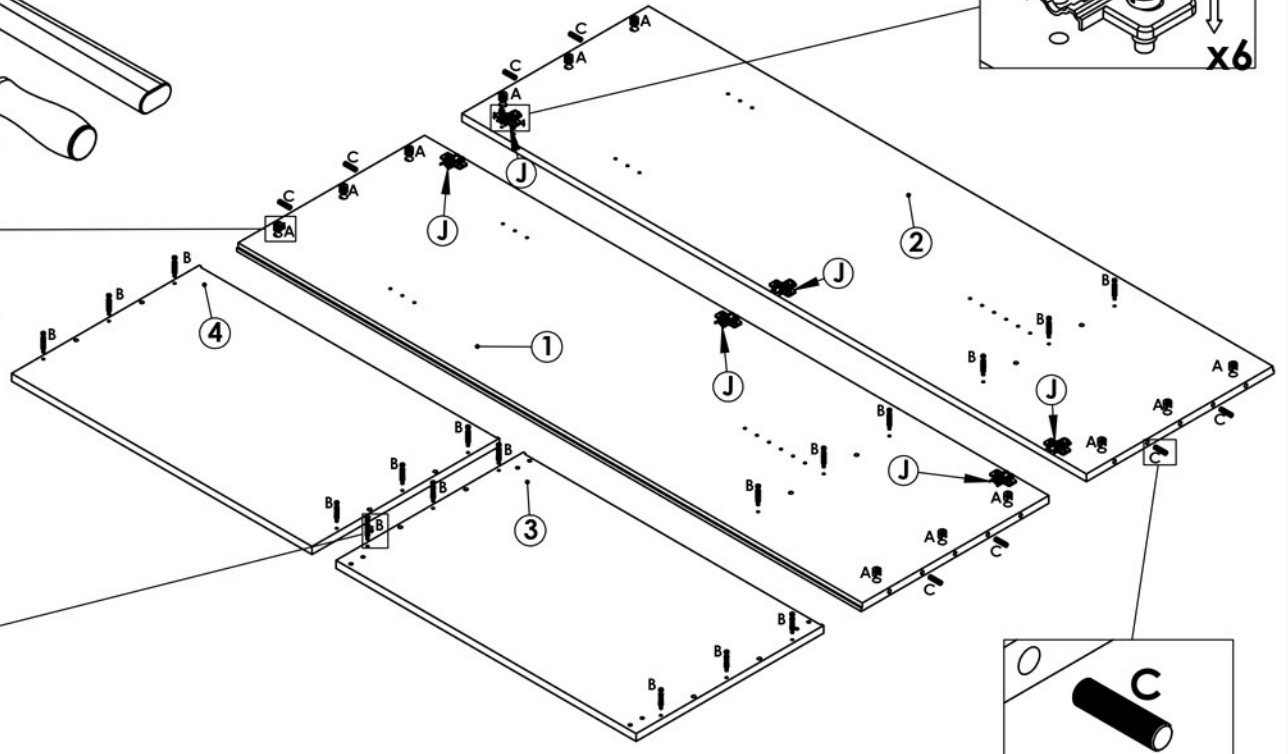
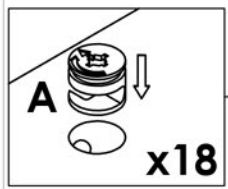
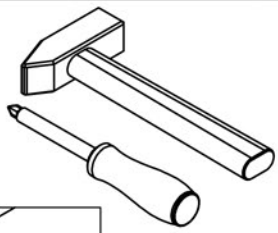


"BOPITA"
LION INTERNATIONAL B.V.
 ENERGIEWEG 1
 6662 NS ELST GLD
 NEDERLAND
www.bopita.com







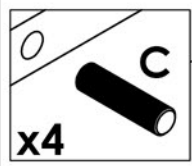
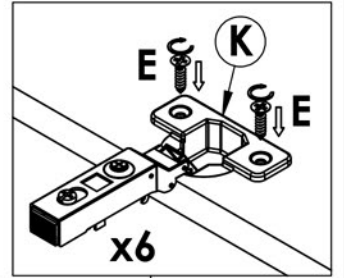
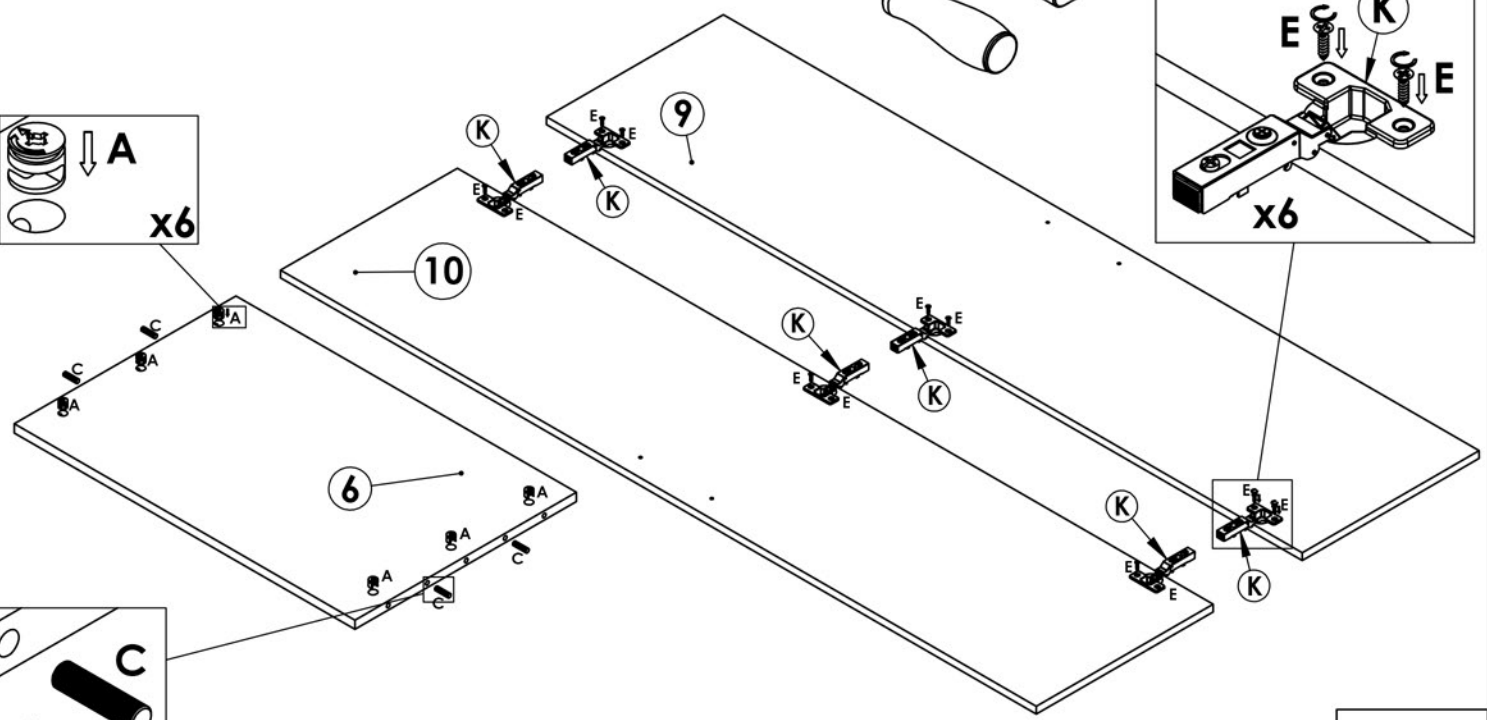
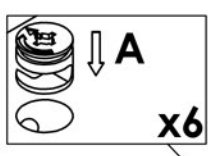
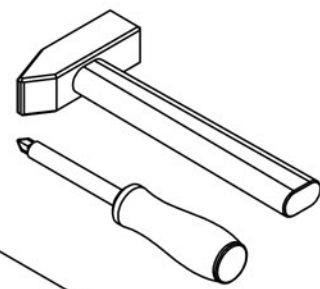
STEP - 1

		 8x30	
A x 12	B x 18	C x 8	J x 6

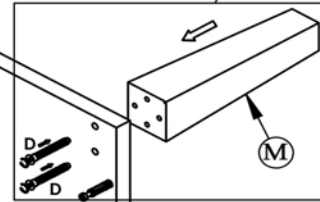
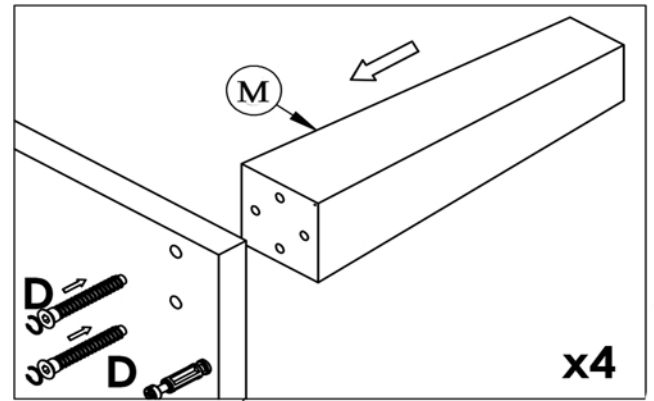
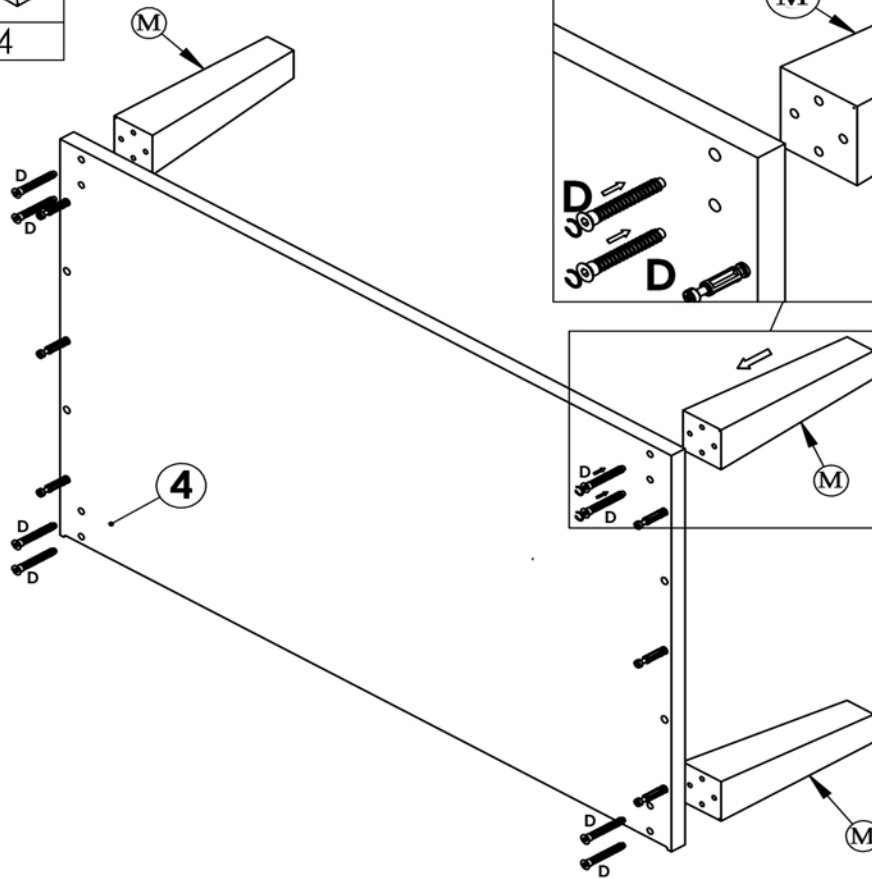
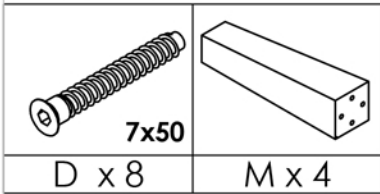


STEP - 2

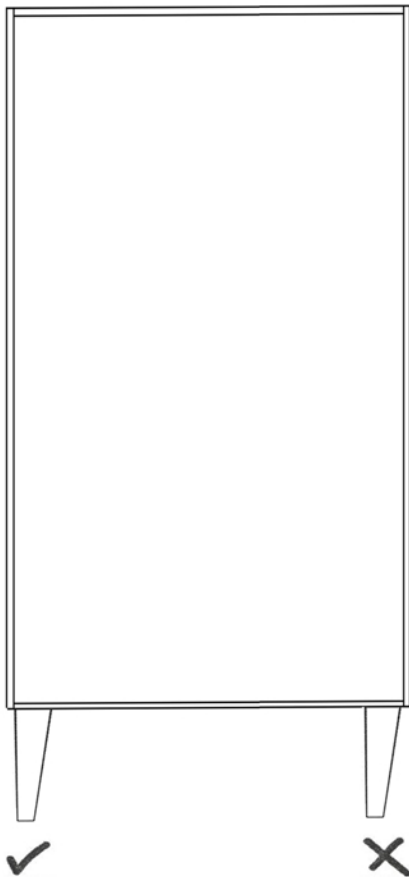
	 8x30	 3,5x13	
A x 6	C x 4	E x 12	K x 6



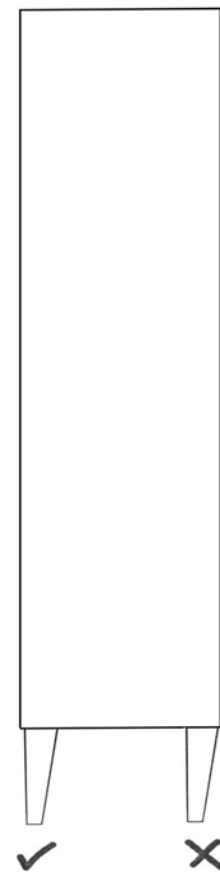
STEP - 3



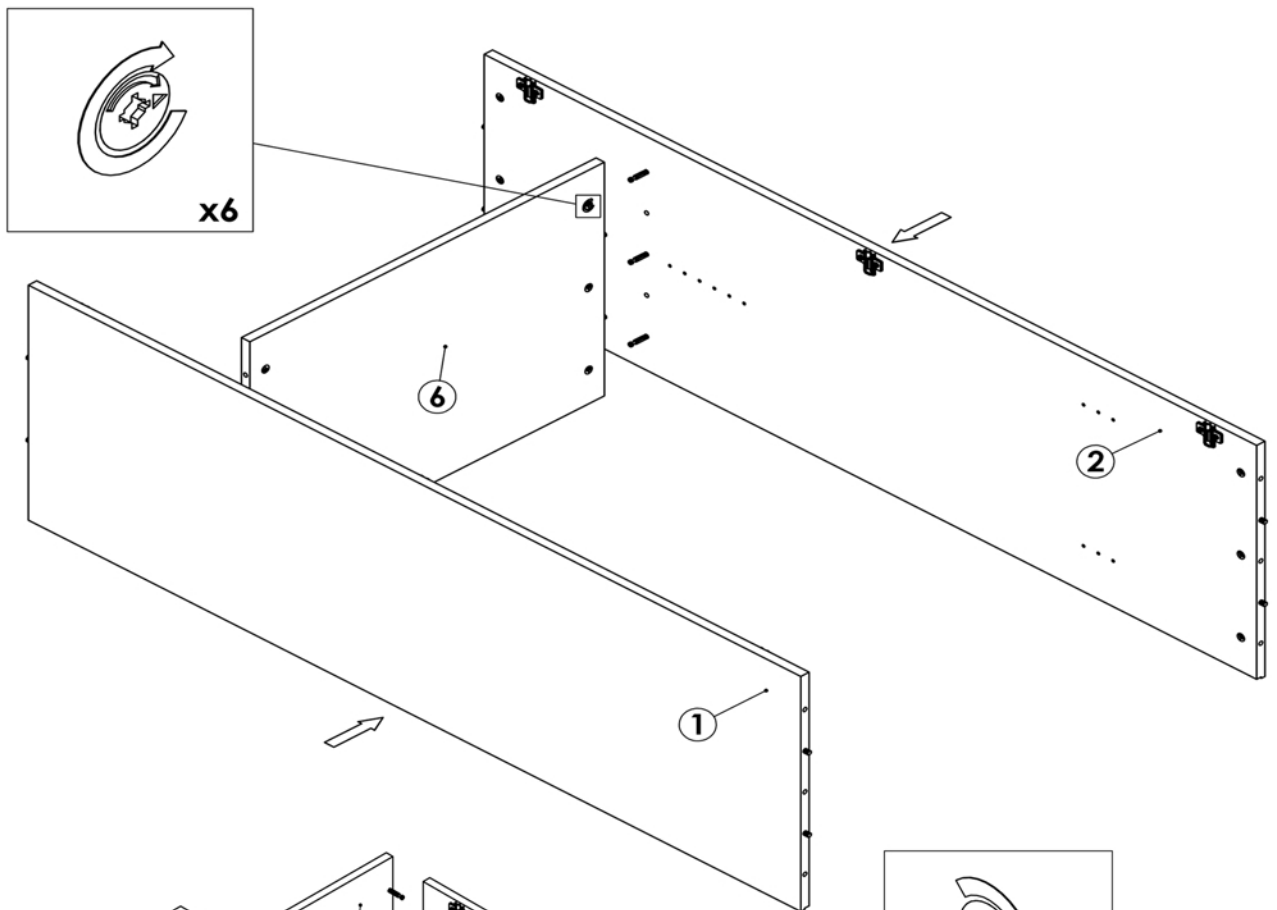
FRONT VIEW



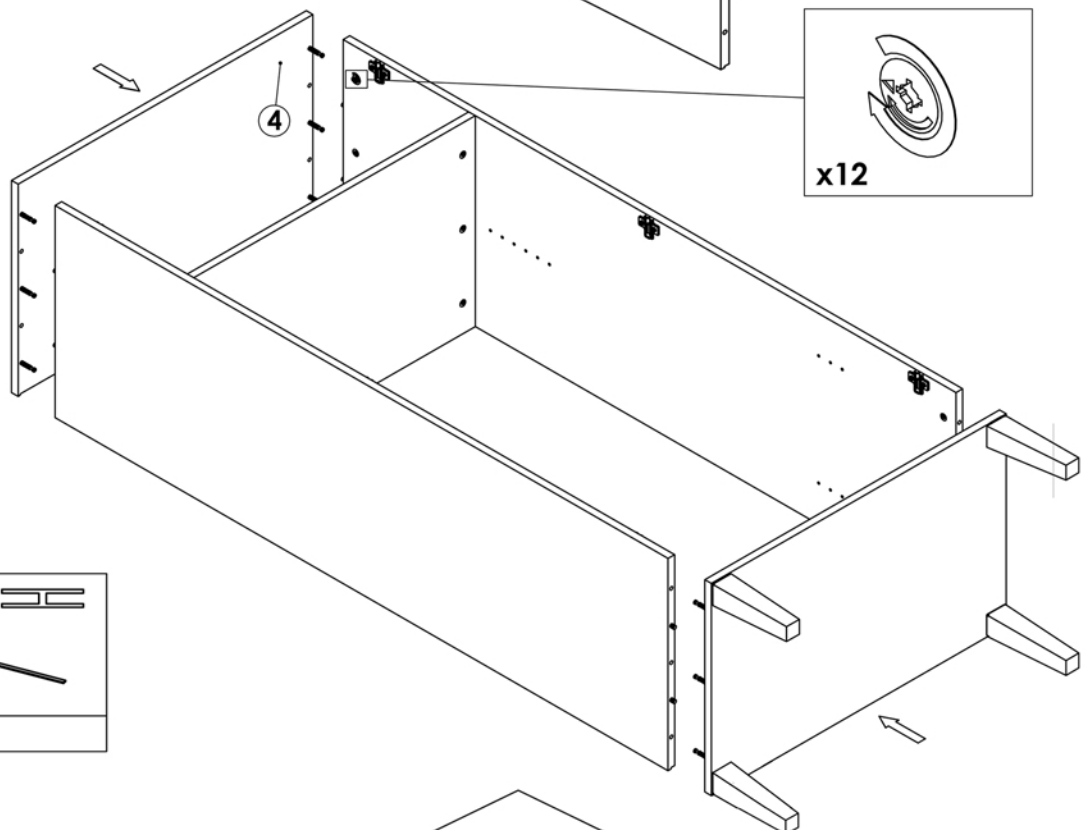
SIDE VIEW



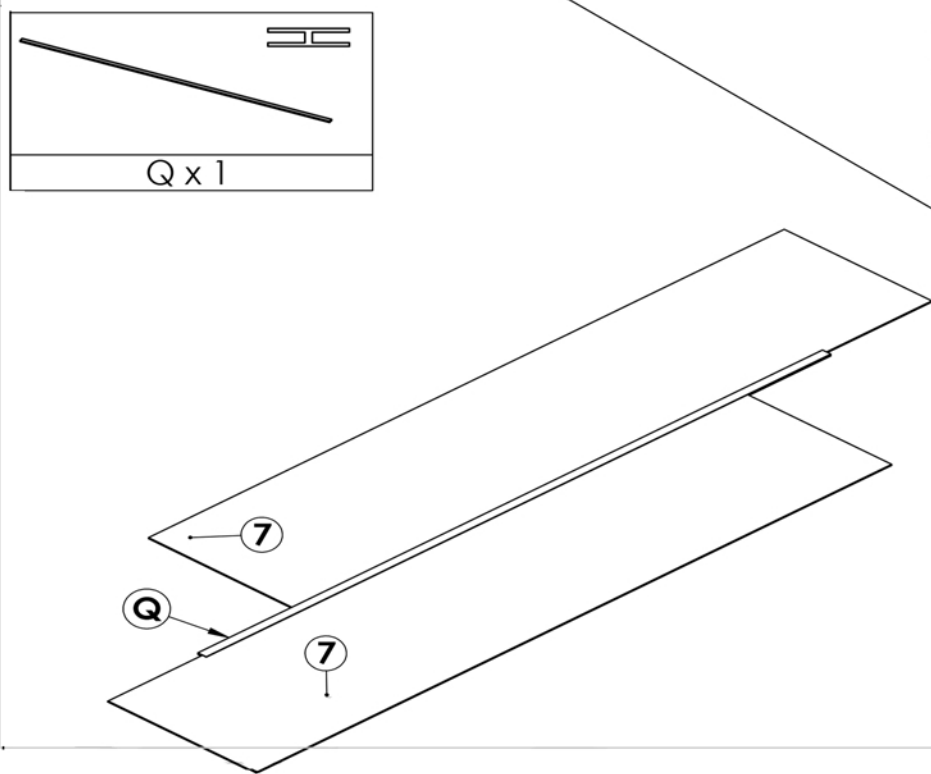
STEP - 4



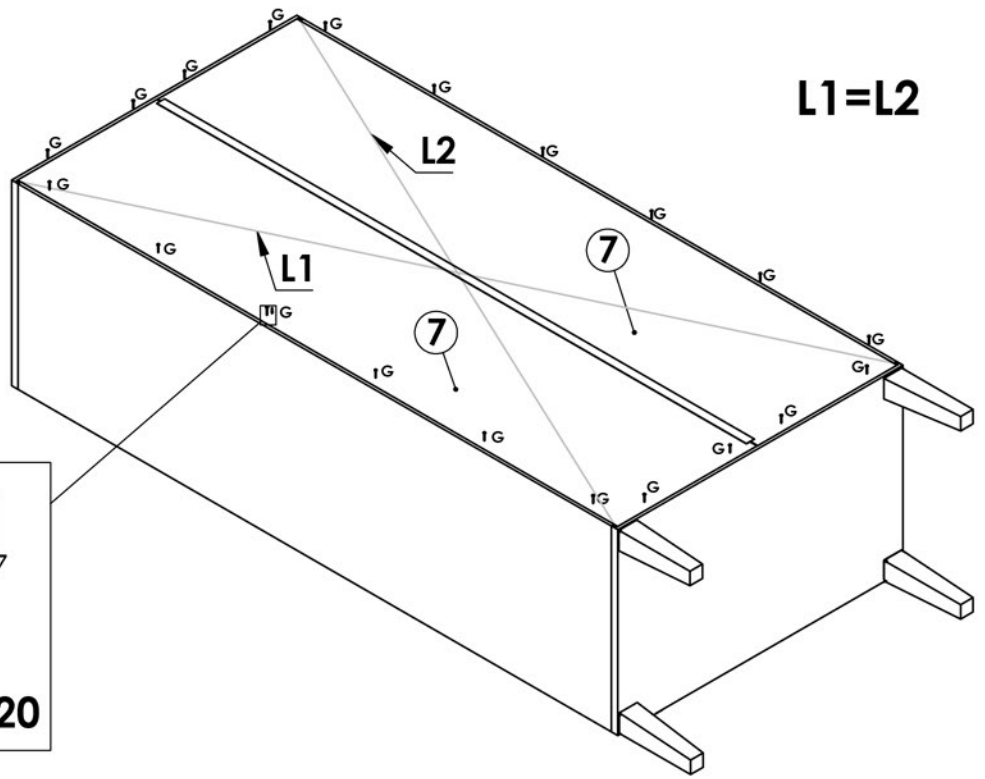
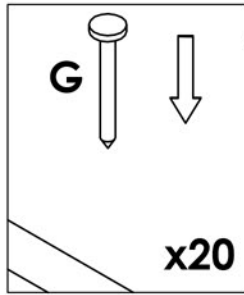
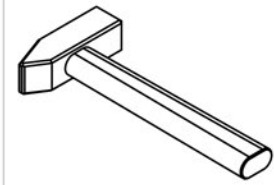
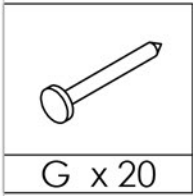
STEP - 5



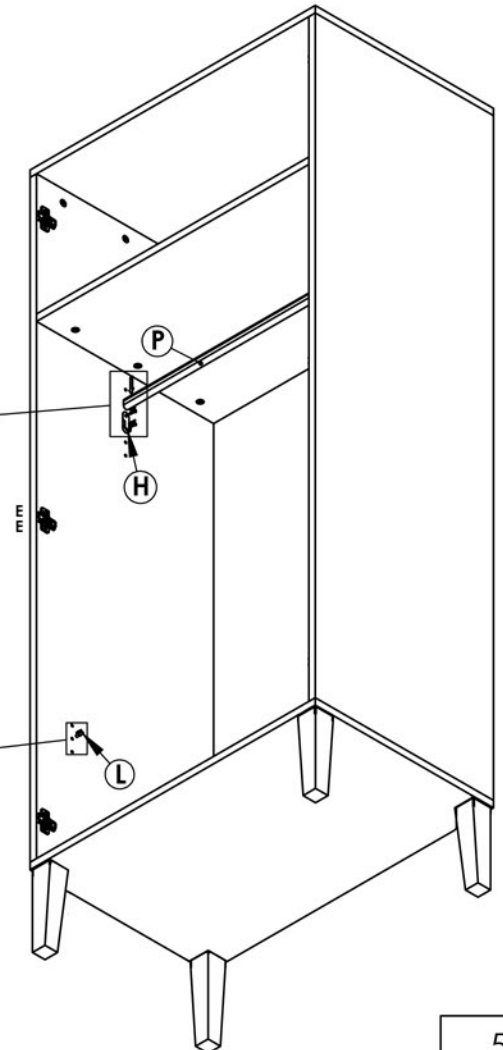
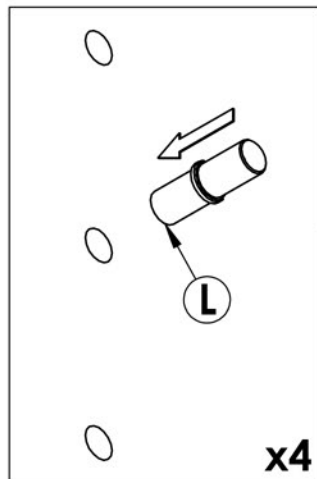
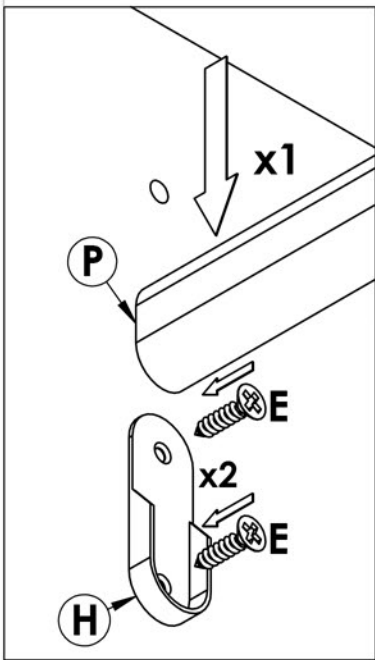
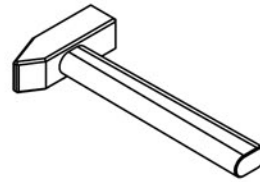
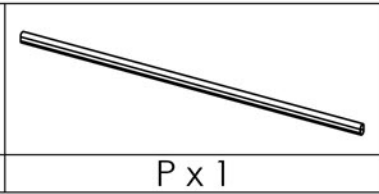
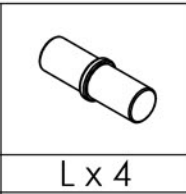
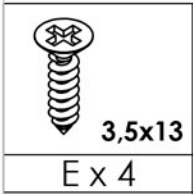
STEP - 6



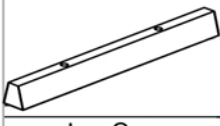
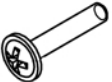
STEP - 7

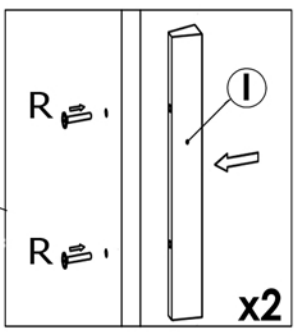
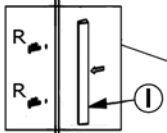
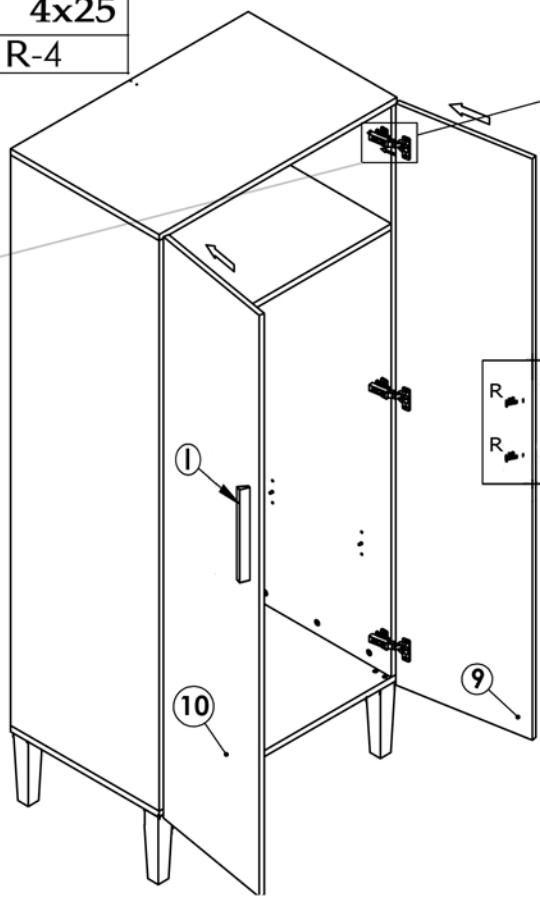
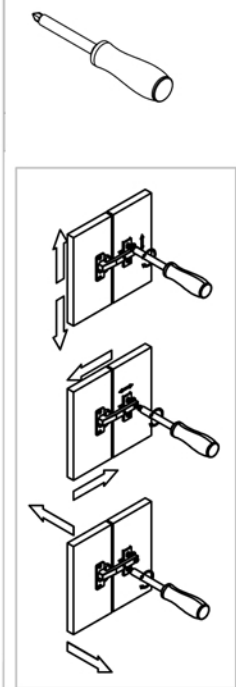
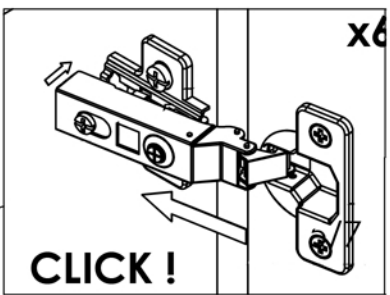


STEP - 8


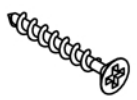

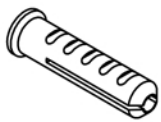


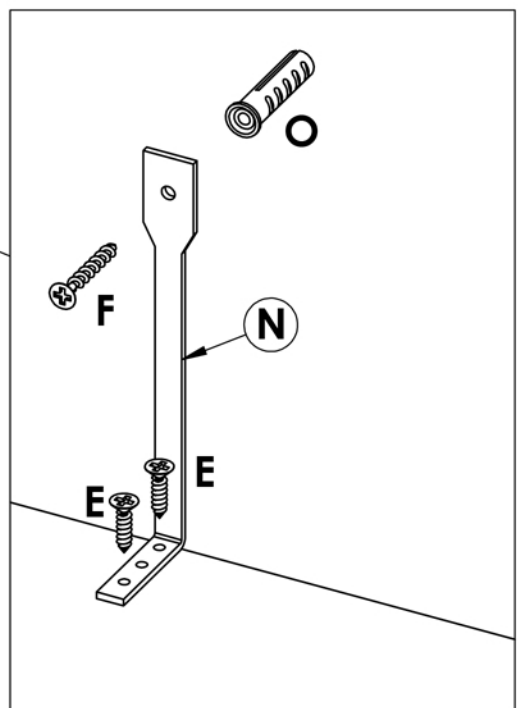
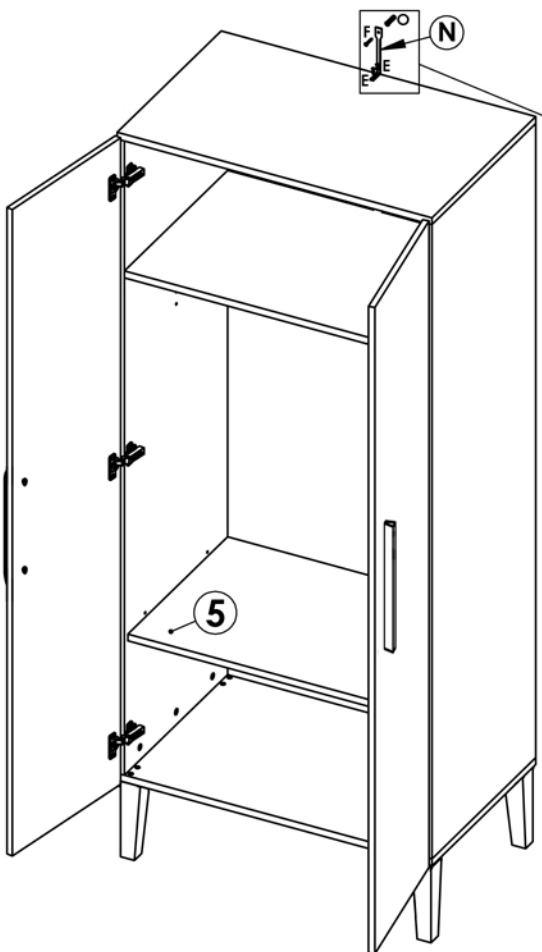
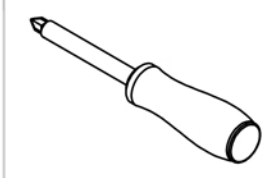
STEP - 9

	
l x 2	4x25 R-4



STEP - 10

	
3,5x13 E x 2	F x 1
	
N x 1	O x 1



QC-CODE

(UK) for service requests

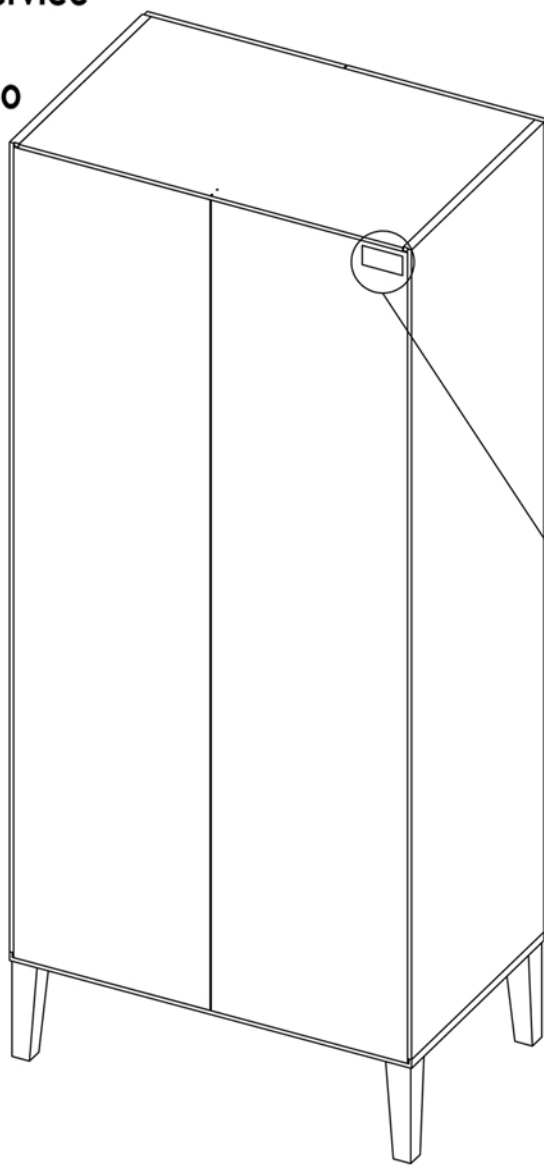
(NL) voor service vragen

(FR) pour les demandes de service

(DE) für Service Anfragen

(ES) para consultas de servicio

(IT) per richieste di assistenza



QC-CODE